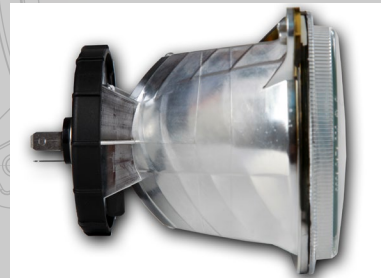


HEAD LAMP

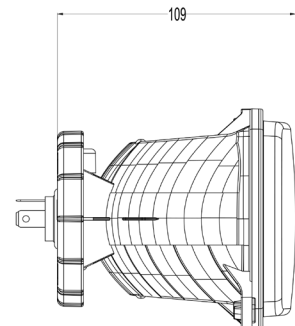
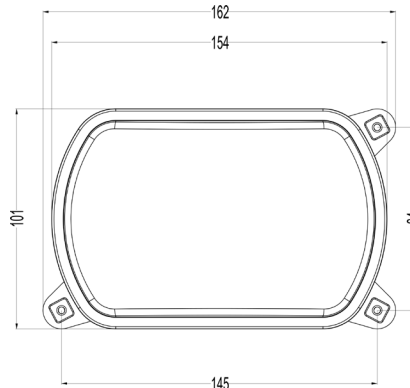
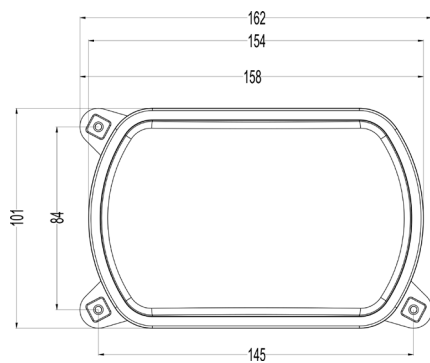


Features

- Homologated according to ECE R112
- Compact, esthetic and elegant design
- Patented 2K bulb sealing, fixing and holder design
- 100% Thermoplastic nature friendly design
- UV and scratch resistance coating
- High efficient reflector design
- Resistance to low and high temperature
- Impact resistance lens design
- Different mounting options are available
- Thermal shock resistant
- Weight: ~190g (~0,41lb)
- Dimensions: 101 x 162 x 109mm (3,97 x 6,37 x 4,29inch)
- 100% Tested before delivery



PARTS	PARTS NAME	PARTS NO
	TD HEAD LAMP LF	0001.3800.XXX
	TD HEAD LAMP LF SS	0001.3800.XXX
	TD HEAD LAMP RH	0001.3801.XXX
	TD HEAD LAMP RH SS	0001.3800.XXX
	TD HEAD LAMP	0001.3802.XXX
	TD HEAD LAMP SS	0001.3800.XXX



BULB	
HS1 35/35V	0001.2076.000